



**SHEET  
METAL  
CONNECTORS, INC.**

**FABRICATION THAT PERFORMS**

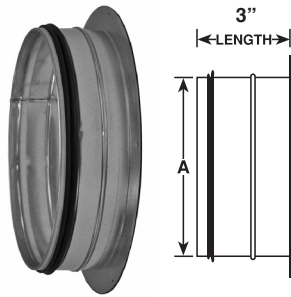


**DISTRIBUTION  
CATALOG**



# E-Z Tap Collar

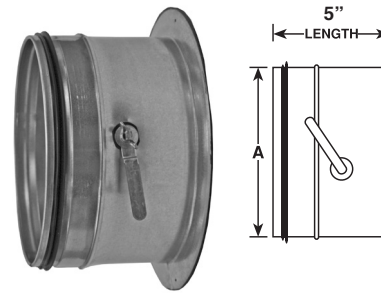
Order as follows: A = Diameter



E-Z Tap Collar ***Complete Seal Only			
Size	Quantity	Box Size	Weight
6"	81	24x24x30	56
8"	45	24x24x30	42
10"	36	24x24x30	39
12"	18	30x16x30	25
14"-24ga	18	30x16x30	28
16"-24ga	9	20x20x30	17
18"-24ga	8	20x20x30	19
20"-24ga	10	24x24x30	24
22"-24ga	8	24x24x30	21
24"-24ga	20	Gaylord	58

# E-Z Tap Collar with Damper

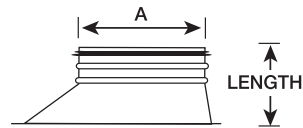
Order as follows: A = Diameter Also Available with 2" Insulation Extension



E-Z Tap Collar with Damper ***Complete Seal Only			
Size	Quantity	Box Size	Weight
6"	45	24x24x30	45
8"	25	24x24x30	35
10"	20	24x24x30	38
12"	8	30x16x30	25
14"-24ga	8	30x16x30	34
16"-24ga	4	20x20x30	21
18"-24ga	2	20x20x30	17
20"-24ga	2	24x24x30	21

# Super Heto

Order as follows: A = Diameter

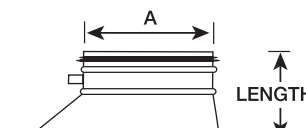


High Efficiency Takeoffs ***Complete Seal Only					
Size	Length	Qty No Damper	Box Size	Weight	Qty w/Standoff
6"	6.5"	24	24x24x30	40	18
8"	7"	16	24x24x30	37	12
10"	7"	16	24x24x30	46	10
12"	7"	8	30x16x30	27	6
14"	7"	6	30x16x30	27	4
16"	14.25"	2	24x24x30	19	2
18"	15.5"	1	20x20x30	19	1
20"	15.5"	1	24x24x30	13	1

★ Patent # US D571,908 S

# Super Heto with Damper

Order as follows: A = Diameter



High Efficiency Takeoffs w/ Damper ***Complete Seal Only					
Size	Length	Qty No Damper	Box Size	Weight	Qty w/Ext.
6"	6.5"	24	24x24x30	43	24
8"	7"	16	24x24x30	42	16
10"	7"	16	24x24x30	52	16
12"	7"	8	30x16x30	34	8
14"	7"	6	24x24x30	34	6
16"	14.25"	2	24x24x30	22	2
18"	15.5"	1	20x20x30	23	1
20"	15.5"	1	24x24x30	15	1

★ Patent # US D571,908 S

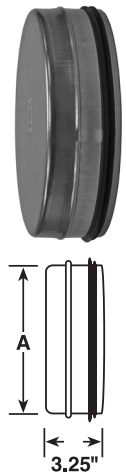
Available In Spiral End or Complete Seal™

Unless Noted

# End Cap (Plug)

Dimensions to be listed as follows:  
A, equal diameter

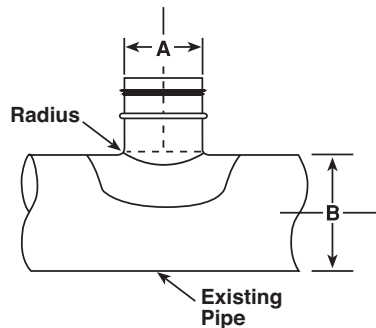
All Fittings are 1.75" from Bead to End of Fitting.



Pressed End Caps			
Size	Quantity	Box Size	Weight
6"	15	15x15x11	9
8"	25	20x20x15	26
10"	20	20x20x15	30
12"	20	24x24x15	39
14"	12	30x16x15	30
16"	6	20x20x15	19
18"	6	20x20x15	23

# 90° Saddle Tap

Dimensions to be listed as follows: A on B

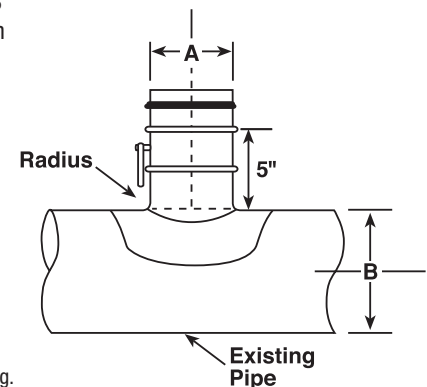


All Fittings are 1.75" from Bead to End of Fitting.

Pressed Saddles						
Size	Height	Qty w/Damper	Box Size	Weight	Qty No Damper	Height
6" on 6"	6.5"	18	24x24x15	36	18	2.75"
6" on 8"	6.5"	18	24x24x15	36	36	2.75"
6" on 10"	6.5"	18	24x24x15	36	36	2.75"
6" on 12"	6.5"	18	24x24x15	36	36	2.75"
6" on 14"	6.5"	18	24x24x15	36	36	2.75"
8" on 8"	6.5"	18	24x24x30	69	32	3.25"
8" on 10"	6.5"	18	24x24x30	44	32	3.25"
8" on 12"	6.5"	18	24x24x30	42	32	3.25"
8" on 14"	6.5"	18	24x24x30	42	32	3.25"
8" on 16"	6.5"	18	24x24x30	42	32	3.25"
8" on 18"	6.5"	18	24x24x30	40	32	3.25"
10" on 10"	6.5"	8	20x20x30	40	16	3.25"
10" on 12"	6.5"	8	26x16x30	40	16	3.25"
10" on 14"	6.5"	8	26x16x30	40	16	3.25"
10" on 16"	6.5"	8	26x16x30	40	16	3.25"
10" on 18"	6.5"	8	26x16x30	40	16	3.25"
12" on 12"	6.5"	6	30x18x30	42	14	3.25"
12" on 14"	6.5"	6	30x18x30	42	14	3.25"
12" on 16"	6.5"	6	30x18x30	42	14	3.25"
12" on 18"	6.5"	6	30x18x30	42	14	3.25"

# 90° Saddle Tap W/Damper

Dimensions to be listed as follows: A on B  
Also available with 2" Insulation Extension  
Available in Complete Seal Only



All Fittings are 1.75" from Bead to End of Fitting.

# Two Piece Pressed Solid Welded Elbows



Pressed elbows and angles are resistance welded with copper on both the heel and throat. All pressed fittings are manufactured from extra deep drawing steel (EDDS) in accordance with ASTM-A653. Pressed fittings are precision drawn, tolerances must be within + or - .002 thickness to assure a quality product at all times. All pressed fittings are made of 24 Ga. or 22 Ga. Galvanized material with a G60 or better coating thickness and are chemically treated to retard white rust.

## Centerline Throat Radius Charts

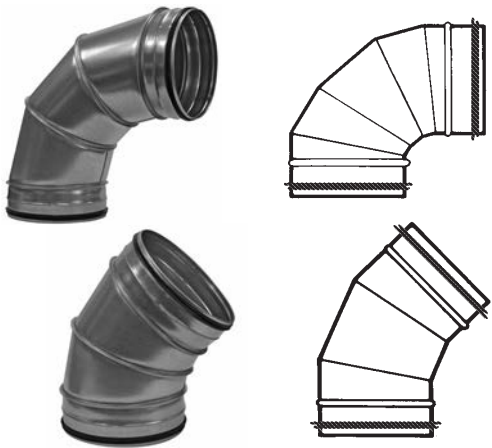
All Fittings are 1.75" from Bead to End of Fitting.

Pressed 90 Degree Elbows				
Size	Radius	Quantity	Box Size	Weight
3"	4.5"	45	20x20x15	39
4"	6"	20	20x20x15	25
5"	7.5"	10	20x20x15	18
6"	9"	20	24x24x30	50
7"	10.5"	5	24x24x15	22
8"	12"	40	40x48x42	90
9"	13.5"	27	32x32x38	218
10"	15"	20	40x48x42	74
12"	18"	12	40x48x42	58

Pressed 45 Degree Angles				
Size	Radius	Quantity	Box Size	Weight
3"	4.5"	10	14x12x8	12
4"	6"	25	20x20x15	23
5"	7.5"	20	20x20x15	27
6"	9"	36	24x24x30	70
7"	10.5"	8	24x24x15	18
8"	12"	15	24x24x30	44
9"	13.5"	8	24x24x30	24
10"	15"	41	40x48x42	82
12"	18"	22	40x48x42	66
14"	21"	15	40x48x42	185

Highlighted Available in Spiral End Only

# Standing Seam Elbows & Angles



## Standing Seam Elbows and Angles

Standing Seam fittings work well for medium pressure applications and offer an alternative to welded elbows and angles. These are available from 8" through 60" diameters and fabricated as heavy as 16 gauge. Other diameters and throat radiuses are available.

\* 42" and larger diameter 90 degree elbows are fabricated using two 45 degree angles connected with an E-Z Flange and Barrel Clamp unless otherwise specified.

## Full Sweep Standing Seam Elbows

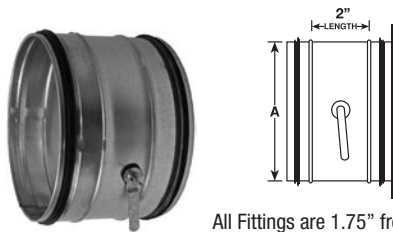
8"-30" will be a 5 gore one piece standard throat construction. 32" and larger in diameter 90 degree full sweep (1.5 x CL) elbows are fabricated using two 45 degree angles connected with an E-Z flange and barrel clamp unless otherwise specified.

Standard Throats	
8" thru 18"	8" Throat
20" thru 40"	10" Throat
42" thru 60" *	20" Throat

All Fittings are 1.75" from Bead to End of Fitting.

# Complete Seal Damper Sleeve

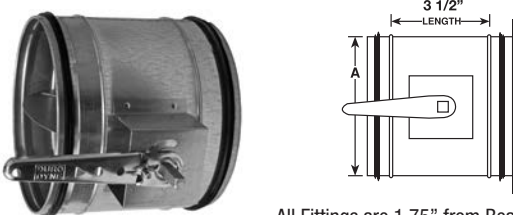
Order as follows: A = Diameter  
Also available with 2" Insulation Extension



All Fittings are 1.75" from Bead to End of Fitting.

# Complete Seal Damper Sleeve with 2" Standoff

Order as follows: A = Diameter

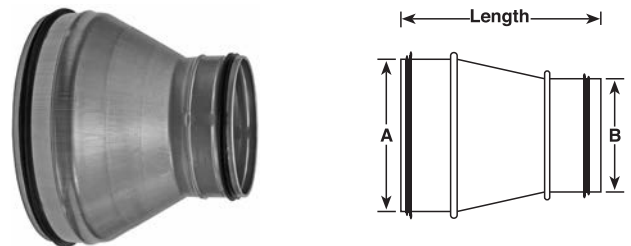


All Fittings are 1.75" from Bead to End of Fitting.

## Additional Products Available Per Request

# Concentric Reducer

Dimensions to be listed as follows: A, B



Pressed Reducers				
Size	Length	Quantity	Box Size	Weight
8"/6"	6.75"	20	20x20x15	27
10"/6"	8.5"	12	20x20x15	24
10"/8"	6.75"	16	20x20x15	29
12"/8"	8.5"	12	24x24x15	30
12"/10"	6.75"	16	24x24x15	28
14"/10"	8.5"	8	30x16x15	25
14"/12"	6.75"	8	30x16x15	22
16"/10"	10.5"	12	30x16x30	44
16"/12"	8.5"	12	30x16x30	40
16"/14"	6.75"	12	30x16x30	40
18"/12"	10.5"	6	20x20x30	34
18"/14"	8.5"	6	20x20x30	31
18"/16"	6.75"	10	20x20x30	28

All Fittings are 1.75" from Bead to End of Fitting.



# Crate Quantity Chart

Product SMC#	Description	Total Feet	Approx. Weight
226C	2" Turn Vane /26 ga	3000	1550 lbs.
424C	4" Turn Vane /24 ga	1500	1970 lbs.
322C	2" EZ Rail /22 ga	2500	1200 lbs.
522C	4" EZ Rail /22 ga	1500	1200 lbs.
4000C	4" Singlewall Vane /22 ga	2000	2400 lbs.
5000C	4" EZ Rail II Singlewall Vane /22 ga	1500	1175 lbs.
4ACC	4" Accoustic Vane /24 ga	1500	2030 lbs.
4ALC	4" Alum Turn Vane	1500	805 lbs.
626C	1" Flat Drive /26 ga	10000	1570 lbs.
624C	1" Flat Drive /24 ga	10000	1990 lbs.
726C	1" Flat S Slip /26 ga	10000	2670 lbs.
724C	1" Flat S Slip /24 ga	10000	3400 lbs.
826C	1" Stdg S Slip /26 ga	5000	2280 lbs.
824C	1" Stdg S Slip /24 ga	5000	2905 lbs.
822C	1" Stdg S Slip /22 ga	5000	3535 lbs.
922C	1 1/8" Stdg Slip /22 ga	3500	2300 lbs.
1024C	1 5/8" Stdg S Slip /24 ga	3000	1750 lbs.
1022C	1 5/8" Stdg S Slip /22 ga	3000	2125 lbs.
1226C	1/2" Stdg S Slip /26 ga	10000	3000 lbs.



**SHEET METAL CONNECTORS, INC.**

**FABRICATION THAT PERFORMS**

MINNEAPOLIS, MN 1-800-328-1966 • ROCKFORD, IL 1-866-504-4600

**[www.smduct.com](http://www.smduct.com)**